

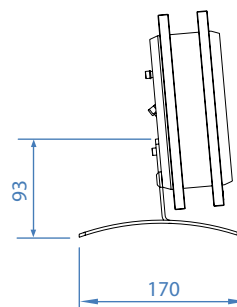
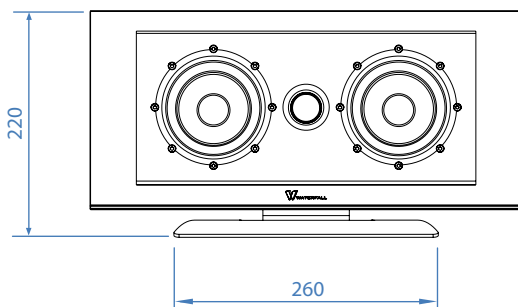
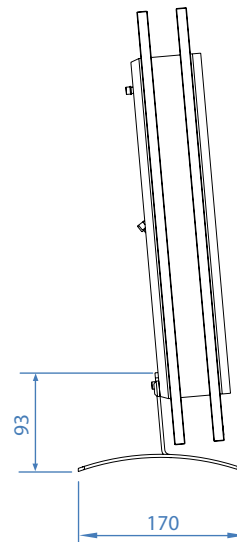
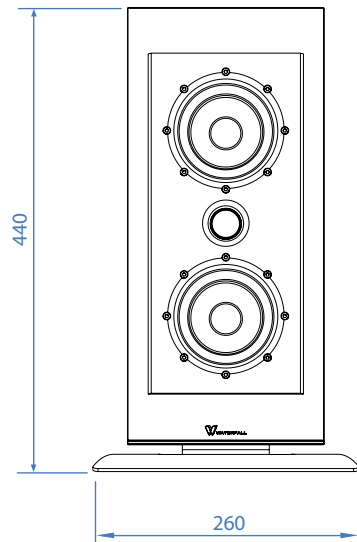
DATA SHEET
ELORA EVO SHELF STAND

Made in France

KEY POINTS

- Aluminium shelf stand
- Compatible with ELORA Evo Center and ELORA Evo LR

ELORA EVO L/R AND CENTER




TECHNICAL DETAILS

TYPE	Support accessory / shelf stand
DIMENSIONS (width x depth x height in mm) (approx. inches)	260 x 170 x 93 / 10.24" x 6.69" x 3.66"
WEIGHT Kg (approx. lbs.)	0.3 kg / 0.66 lbs

WATERFALL AUDIO

ZA les praderies - 83 570 Carcès - France
Phone: **+33 (0)4 98 05 11 30**
export@waterfallaudio.com

Made in France. 5 years warranty on speakers, 2 years warranty on amplifiers (parts & service).
We operate a policy of continuous improvement and reserve the right to amend designs and specifications without prior notice.

 All drivers are developed and manufactured by Atohm (France).